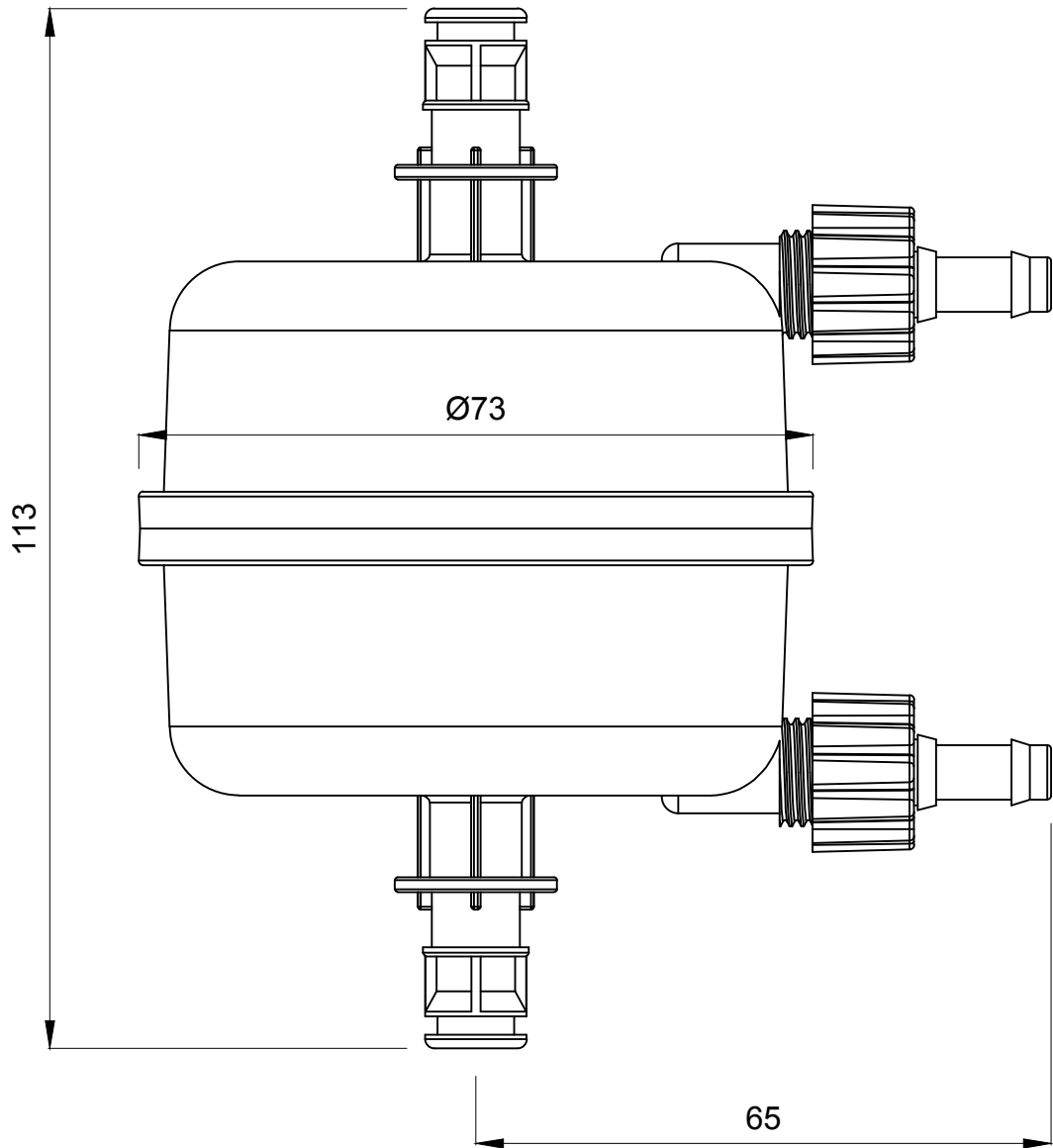


DO NOT SCALE THE DRAWING
ALL DIMENSIONS ARE IN mm



PART	QUANTITY	REF. NO.	DESCRIPTION	MATERIAL	FINISHED SIZE	HARDNESS	REMARK				
REV. NO.	ECN. NO.	DATE	DESCRIPTION	REV. NO.	ECN. NO.	DATE	DESCRIPTION				
mdi Advanced Microdevices Pvt. Ltd. 20, 21, Industrial Area , Ambala Cantt., 133006				TOLERANCE UNLESS SPECIFIED							
2" Capsule Filter with Quick Connector I/O	REV. NO.	FORMAT NO. 5	SCALE	PROJ.	DATE	SIGN.	1Dec.PI	2Dec.PI	3Dec.PI	4Dec.PI	
			NONE		DRAWN		C	A±0.100	A±0.050	A±0.025	A±0.010
					DESIGNED		T	A±0.050	A±0.025	A±0.010	A±0.000
					CHECKED		S				
				APPROVED		ANGLE	A±2Å°	A±2Å°	A±2Å°	A±2Å°	
TOOL No.			COMP. No.			STORE No.			SHEET 1 OF 1		